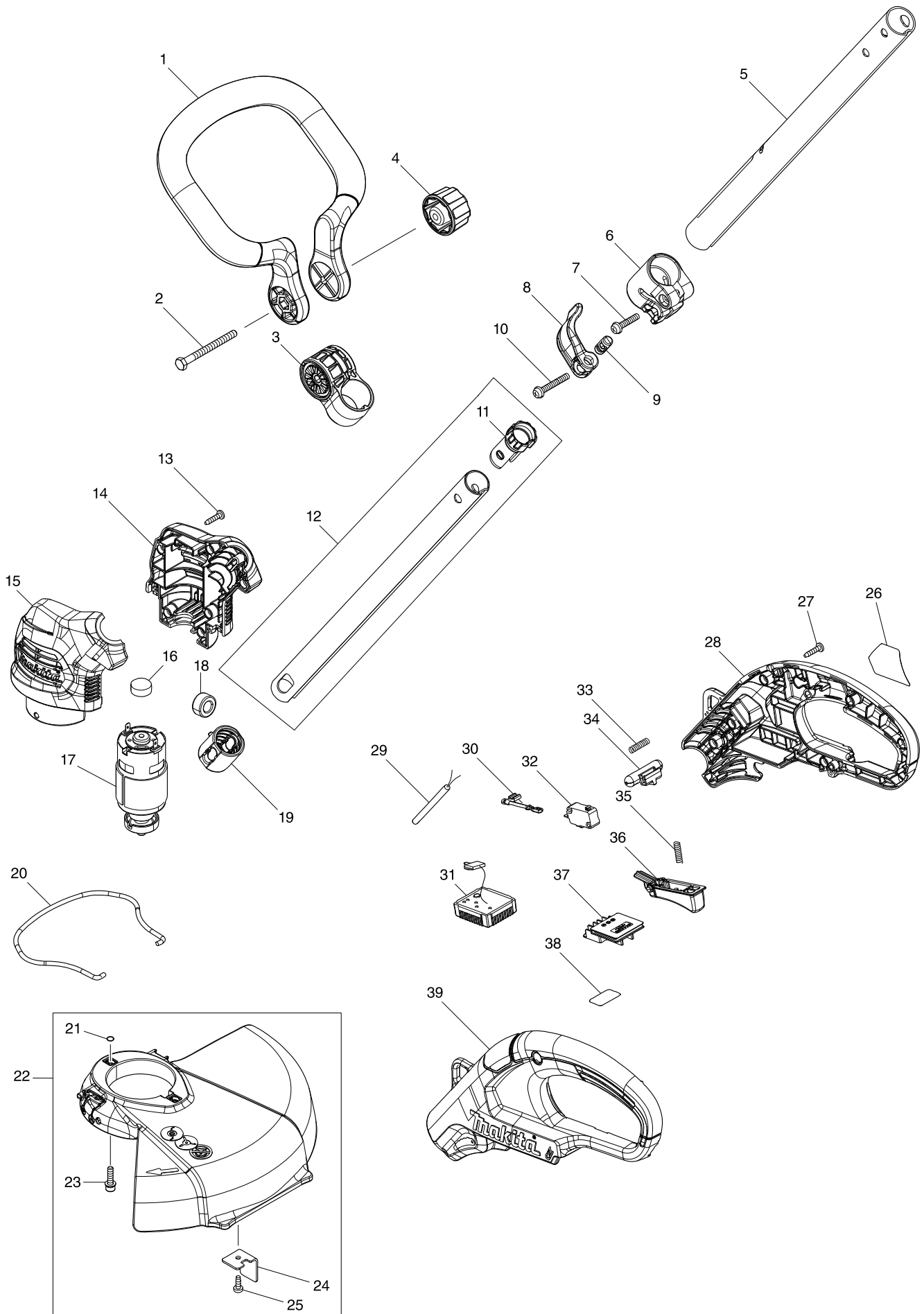


Modelo UR100D CORDLESS GRASS TRIMMER



Modelo UR100D CORDLESS GRASS TRIMMER

Artículo	Código	Descripción	Interc	Cantida	N/O	Opción 1	Opción 2	Notas
001	458505-8	FRONT GRIP		1				
002	921387-6	HEX. BOLT M6X65		1				
003	458260-2	GRIP HOLDER		1				
004	264072-1	POMO ASA M6 LM430D		1				
005	144939-8	PIPE 28 COMPLETE A		1				
C10	808723-2	CAUTION LABEL		1				
C20	816F56-7	CAUTION LABEL		1				
006	458256-3	SLEEVE		1				
C10	252103-8	TUERCA M5-8*		2				
007	911243-8	TORNILLO PLANO M5X25*		1				
008	458257-1	LEVER		1				
009A	319667-6	PIN 9		1	*			
009-1A	327190-7	PIN9	X	1				
009-1B	327190-7	PIN9		1				
010	911258-5	TORNILLO PLANO M5X35*		1				
011	458258-9	PIPE CAP		1				
012	135952-7	PIPE24 ASS'Y		1				
D10		INC. 11						
013	266326-2	TORNILLO M4X18		6				
014	183H91-5	MOTOR HOUSING SET		1				
C10	346275-0	PLATE		2				
D10		INC. 15						
015	183H91-5	MOTOR HOUSING SET		1				
C10	346275-0	PLATE		2				
D10		INC. 14						
016	421940-3	BULON 8391D		1				
017	629315-2	DC MOTOR		1				
018	688131-1	FILTRO DE LINEA LS1013		1				
019	424567-8	RUBBER SLEEVE 24		1				
020	327065-0	WIRE GUARD		1				
021	213023-1	JUNTA TORICA 4 PARA HR3000C		2				
022	135950-1	PROTECTOR ASS'Y		1				
D10		INC. 21,23-25						
023	911139-3	TORNILLO EBH252		2				
024	346555-4	CORD CUTTER		1				
025	266427-6	TORNILLO TAPA 4X12 CC300D		1				
026	854A93-3	UR100D NAME PLATE		1				
027	266326-2	TORNILLO M4X18		6				
028	183H89-2	HANDLE SET		1				
C10	263002-9	FIJADOR 4*		4				
D10		INC. 39						
029	699113-8	POWER SUPPLY CORD UNIT		1				
030	632L22-0	LEAD UNIT		1				
031	620780-8	CONTROLLER		1				
032	650744-8	SWITCH D3V-16-3C26		1				
033	231473-8	MUELLE 4 PARA 4604DW		1				
034A	452438-9	BOTON PARADA UM164D		1	*			
034-1A	458900-2	LOCK OFF BUTTON	X	1				

