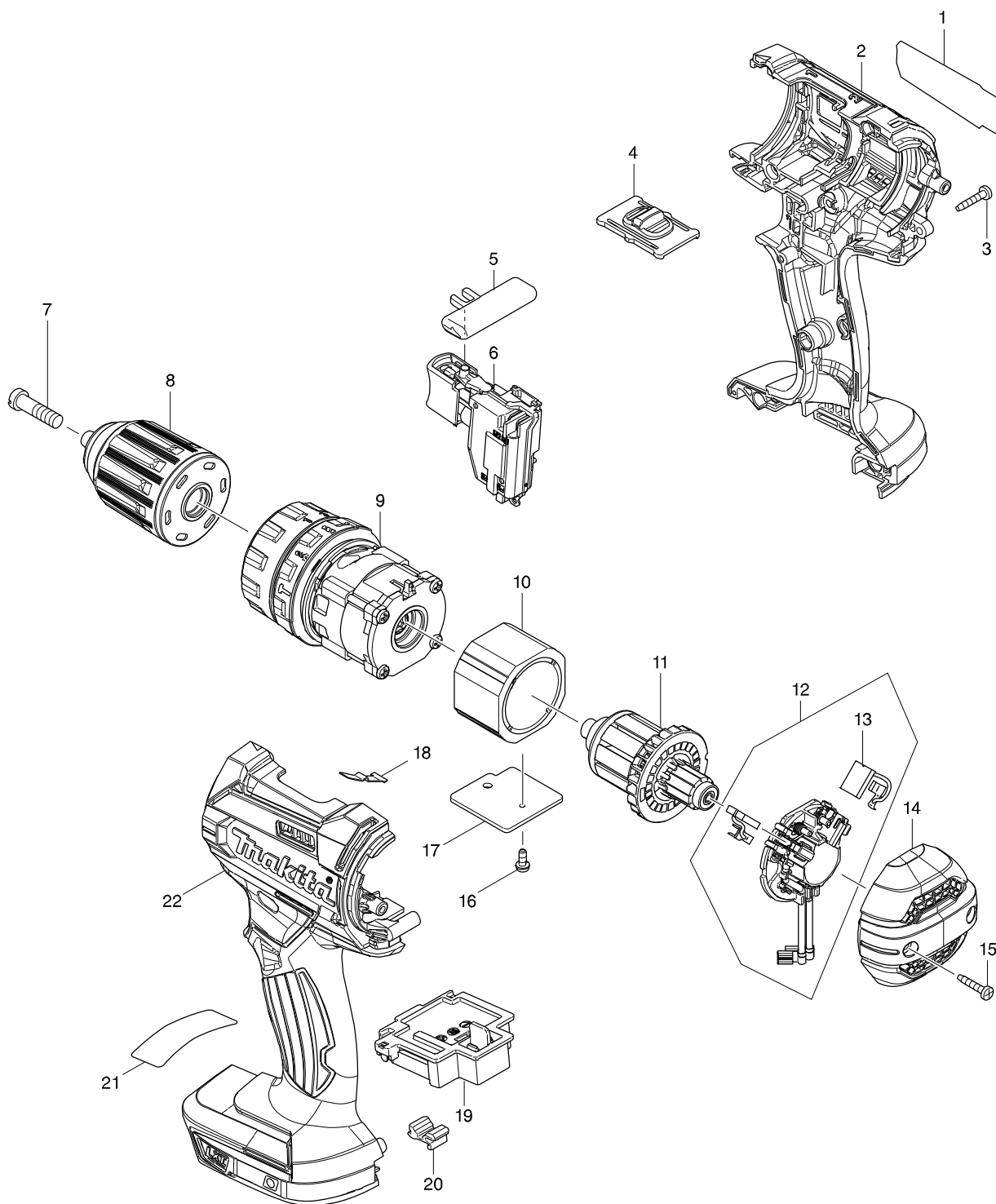


Modelo DHP482 CORDLESS HAMMER DRIVER DRILL



| Artículo | Código | Descripción | Interc | Cantidad | N/O | Opción 1 | Opción 2 | Notas |
|----------|----------|------------------------------|--------|----------|-----|----------|----------|-------|
| 001 | 851E32-8 | DHP482 NAME PLATE | | 1 | | | | |
| 002 | 183B65-0 | HOUSING SET | | 1 | | | | |
| C10 | 263005-3 | FIJADOR 6* | | 2 | | | | |
| D10 | | INC. 22 | | | | | | |
| 003 | 266429-2 | TORNILLO M3X16 TD0101F | | 9 | | | | |
| 004 | 123442-2 | SPEED CHANGE LEVER ASSEMBLY | | 1 | | | | |
| C10 | 233438-6 | MUELLE COMPRESION 4 BDF442 | | 2 | | | | |
| 005 | 419041-9 | PALANCA CAMBIO REVER.BTD130F | | 1 | | | | |
| 006 | 632F27-4 | SWITCH UNIT | | 1 | | | | |
| C10 | 620444-4 | LED CIRCUIT | | 1 | | | | |
| C20 | 688172-7 | FILTRO DE LINEA BFR440 | | 1 | | | | |
| 007 | 251468-5 | TORNILLO IDQUI M6X22* MT064 | | 1 | | | | |
| 008 | 766027-7 | KEYLESS DRILL CHUCK 13 | | 1 | | | | |
| 009 | 123443-0 | GEAR ASSEMBLY | | 1 | | | | |
| 010B | 632F32-1 | YOKE UNIT | | 1 | * | | | |
| 010C | 632F32-1 | YOKE UNIT | | 1 | * | | | |
| 010D | 632F32-1 | YOKE UNIT | | 1 | * | | | |
| 010E | 632F32-1 | YOKE UNIT | | 1 | * | | | |
| 010F | 632F32-1 | YOKE UNIT | | 1 | * | | | |
| 010-1B | 632J70-7 | YOKE UNIT | < | 1 | | | | |
| 010-1C | 632J70-7 | YOKE UNIT | < | 1 | | | | |
| 010-1D | 632J70-7 | YOKE UNIT | < | 1 | | | | |
| 010-1E | 632J70-7 | YOKE UNIT | < | 1 | | | | |
| 010-1F | 632J70-7 | YOKE UNIT | < | 1 | | | | |
| 010-1H | 632J70-7 | YOKE UNIT | | 1 | | | | |
| 011 | 619380-9 | ARMATURE | | 1 | | | | |
| 012 | 632F21-6 | BRUSH HOLDER COMPLETE | | 1 | | | | |
| C10 | 688172-7 | FILTRO DE LINEA BFR440 | | 1 | | | | |
| D10 | | INC. 13 | | | | | | |
| 013 | 194427-5 | ESCOBILLAS CB-440 | | 1 | | | | |
| 014 | 456099-7 | REAR COVER | | 1 | | | | |
| 015 | 266429-2 | TORNILLO M3X16 TD0101F | | 2 | | | | |
| 016B | 911006-2 | TORNILLO PH M3X8 | | 1 | * | | | |
| 016C | 911006-2 | TORNILLO PH M3X8 | | 1 | * | | | |
| 016D | 911006-2 | TORNILLO PH M3X8 | | 1 | * | | | |
| 016E | 911006-2 | TORNILLO PH M3X8 | | 1 | * | | | |
| 016F | 911006-2 | TORNILLO PH M3X8 | | 1 | * | | | |
| 016-1B | 652066-2 | +PAN HEAD SCREW M3X9 WITH W | < | 1 | | | | |
| 016-1C | 652066-2 | +PAN HEAD SCREW M3X9 WITH W | < | 1 | | | | |
| 016-1D | 652066-2 | +PAN HEAD SCREW M3X9 WITH W | < | 1 | | | | |
| 016-1E | 652066-2 | +PAN HEAD SCREW M3X9 WITH W | < | 1 | | | | |
| 016-1F | 652066-2 | +PAN HEAD SCREW M3X9 WITH W | < | 1 | | | | |
| 016-1H | 652066-2 | +PAN HEAD SCREW M3X9 WITH W | | 1 | | | | |
| 017 | 689070-8 | DISIPADOR PARA 6908DW | | 1 | | | | |
| 018 | 232182-2 | MUELLE BALLESTA PARA 6204DW | | 1 | | | | |
| 019 | 644808-8 | TERMINAL | | 1 | | | | |
| 020 | 424476-1 | GUARDAPOLVO BHR242 | | 1 | | | | |
| 022 | 183B65-0 | HOUSING SET | | 1 | | | | |

| Artículo | Código | Descripción | Interc | Cantidad | N/O | Opción 1 | Opción 2 | Notas |
|----------|-----------|-------------------------------|--------|----------|-----|----------|----------|-------|
| C10 | 263005-3 | FIJADOR 6* | | 2 | | | | |
| D10 | | INC. 2 | | | | | | |
| A01 | 251314-2 | TORNILLO M4X12* | | 1 | | | | |
| A02 | 346317-0 | GANCHO BTD134 | | 1 | | | | |
| A03 | 784637-8 | PUNTA + - 2-45 | | 1 | | | | |
| A04B | 141856-3 | MALETIN PVC PARA BDF456 | | 1 | | | | |
| C10 | 162302-3 | LATCH | | 2 | | | | |
| C20 | 324207-7 | SHAFT | | 1 | | | | |
| C30 | 451749-9 | HANDLE | | 1 | | | | |
| A04D | 821550-0 | MALETIN MAKPAC TIPO 2 | | 1 | | | | |
| C10 | 453974-8 | LATCH | | 4 | | | | |
| A04E | 821550-0 | MALETIN MAKPAC TIPO 2 | | 1 | | | | |
| C10 | 453974-8 | LATCH | | 4 | | | | |
| A04F | 821550-0 | MALETIN MAKPAC TIPO 2 | | 1 | | | | |
| C10 | 453974-8 | LATCH | | 4 | | | | |
| A04H | 141856-3 | MALETIN PVC PARA BDF456 | | 1 | | | | |
| C10 | 162302-3 | LATCH | | 2 | | | | |
| C20 | 324207-7 | SHAFT | | 1 | | | | |
| C30 | 451749-9 | HANDLE | | 1 | | | | |
| A05B | 450128-8 | BATTERY COVER | | 1 | | | | |
| A05D | 450128-8 | BATTERY COVER | | 1 | | | | |
| A05E | 837916-4 | INNER TRAY | | 1 | | | | |
| A05F | 450128-8 | BATTERY COVER | | 1 | | | | |
| A05H | 450128-8 | BATTERY COVER | | 2 | | | | |
| A06B | ***DC18RC | DC18RC FAST CHARGER | | 1 | | | | |
| A06D | ***DC18RC | DC18RC FAST CHARGER | | 1 | | | | |
| A06E | 807S65-5 | DHP482ZJ INDICATION LABEL | | 1 | * | | | |
| A06F | ***DC18RC | DC18RC FAST CHARGER | | 1 | | | | |
| A06H | ***DC18RC | DC18RC FAST CHARGER | | 1 | | | | |
| A06-1E | 816F62-2 | DHP482ZJ INDICATION LABEL | O | 1 | | | | |
| A07B | 197265-4 | BATTERY BL1840B SET | | 2 | | | | |
| A07D | 197265-4 | BATTERY BL1840B SET | | 2 | | | | |
| A07E | 808J14-1 | DHP482ZJ PLASTIC CASE LABEL | | 2 | * | | | |
| A07F | 197280-8 | BATTERY BL1850B SET | | 2 | | | | |
| A07H | 197600-6 | BATTERY BL1830B SET | | 3 | | | | |
| A07-1E | 816F63-0 | DHP482ZJ PLASTIC CASE LABEL | X | 2 | | | | |
| A08B | 807S02-9 | DHP482RME PLASTIC CASE LABEL | | 2 | * | | | |
| A08D | 837916-4 | INNER TRAY | | 1 | | | | |
| A08F | 837916-4 | INNER TRAY | | 1 | | | | |
| A08H | 808Y42-6 | DHP482RFE3 PLASTIC CASE LABEL | | 2 | * | | | |
| A08-1B | 816F45-2 | DHP482RME PLASTIC CASE LABEL | X | 2 | | | | |
| A08-1H | 816F53-3 | DHP482RFE3 PLASTIC CASE LABEL | X | 2 | | | | |
| A09D | 808J15-9 | DHP482RMJ INDICATION LABEL | | 1 | * | | | |
| A09F | 808V87-6 | DHP482RTJ INDICATION LABEL | | 1 | * | | | |
| A09-1D | 816F64-8 | DHP482RMJ INDICATION LABEL | O | 1 | | | | |
| A09-1F | 816F72-9 | DHP482RTJ INDICATION LABEL | O | 1 | | | | |
| A10D | 808J16-7 | DHP482RMJ PLASTIC CASE LABEL | | 2 | * | | | |
| A10F | 808V89-2 | DHP482RTJ PLASTIC CASE LABEL | | 2 | * | | | |

