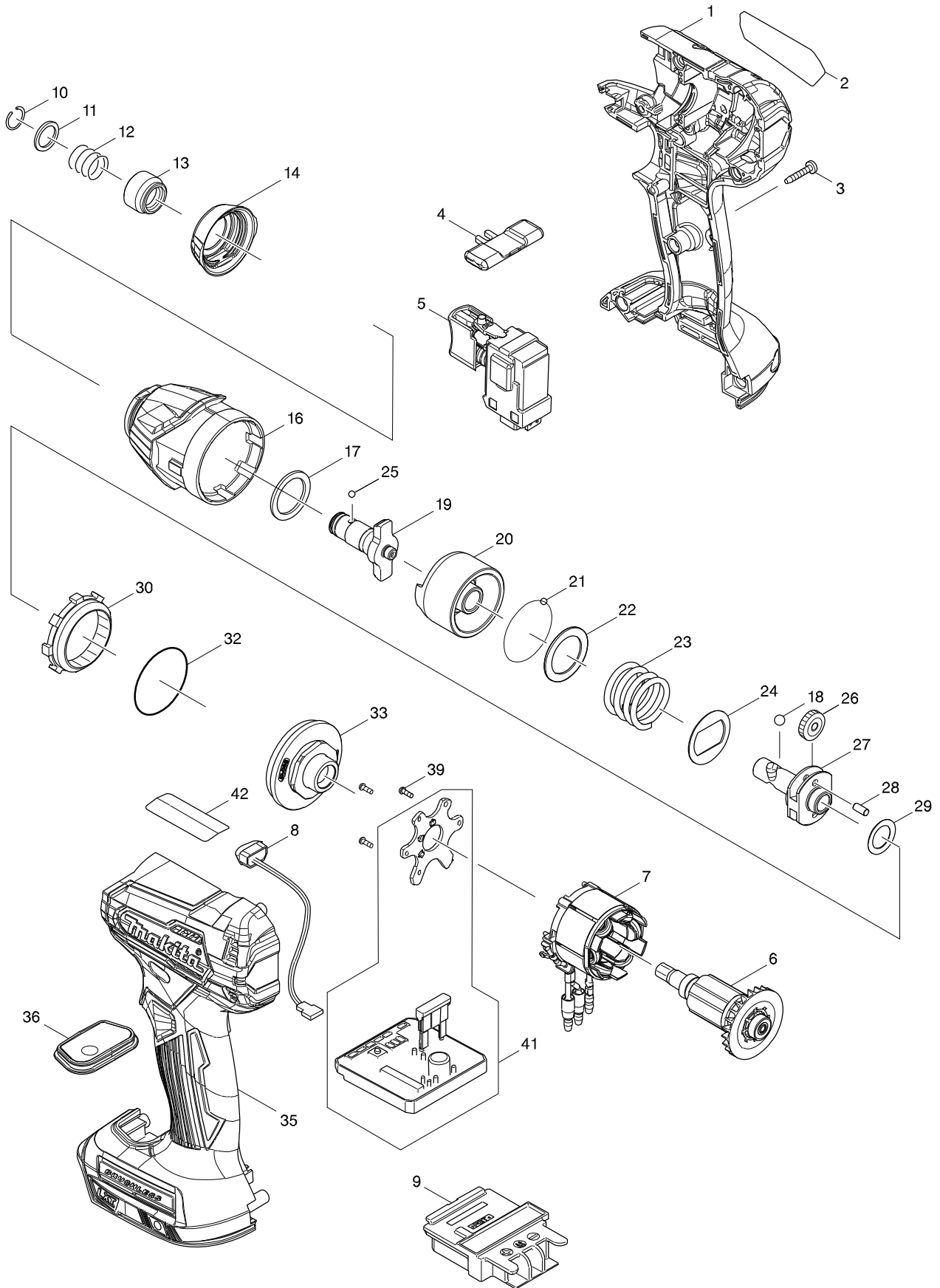


# Modelo DTD155 CORDLESS IMPACT DRIVER



Artículo	Código	Descripción	Interc	Cantida	N/O	Ventas	Compra	Notas
001	183G71-5	HOUSING SET		1				
C10	252126-6	HEX. LOCKING NUT M4-7		2				
D10		INC. 35						
002	853G07-5	DTD155 NAME PLATE		1				
003	266429-2	TAPPING SCREW 3X16		9				
004	455053-8	F/R CHANGE LEVER		1				
005	143975-1	SWITCH COMPLETE		1				
006	619415-6	ROTOR		1				
007	629233-4	STATOR		1				
008	620521-2	LED CIRCUIT		1				
009	643860-3	TERMINAL		1				
010	231965-7	RING SPRING 10		1				
011	267143-3	FLAT WASHER 11		1				
012	233005-7	COMPRESSION SPRING 13		1				
013	326803-7	BIT SLEEVE		1				
014	424914-3	BUMPER		1				
016	144132-4	HAMMER CASE COMPLETE		1				
017	261159-0	NYLON WASHER 19		1				
018	216002-8	STEEL BALL 4.8		2				
019	326630-2	ANVIL M		1				
020	324894-2	HAMMER		1				
021	216019-1	STEEL BALL 3		24				
022	267380-9	FLAT WASHER 20		1				
023	232326-4	COMPRESSION SPRING 21		1				
024	267813-4	WASHER 21		1				
025	216019-1	STEEL BALL 3		2				
026	221437-0	SPUR GEAR 17		2				
027	324897-6	SPINDLE		1				
028	268217-3	PIN 3.5		2				
029	253052-2	FLAT WASHER 12		1				
030	227316-0	INTERNAL GEAR 43		1				
032	213479-8	O RING 33		1				
033	141893-7	BEARING BOX COMPLETE		1				
035	183G71-5	HOUSING SET		1				
C10	252126-6	HEX. LOCKING NUT M4-7		2				
D10		INC. 1						
036	144137-4	SWITCH PLATE COMPLETE		1				
039	266490-9	TAPPING SCREW PT 2X6		3				
041	620586-4	CONTROLLER		1				
A01	266622-8	+ TRUSS HEAD SCREW M4X12		1				
A02	346317-0	HOOK		1				
A03B	***DC18RC	DC18RC FAST CHARGER		1				
A04B	197280-8	BATTERY BL1850B SET		2				
A05B	450128-8	BATTERY COVER		1				
A06B	821550-0	CONNECTOR PLASTIC CASE (TYPE2)		1				
C10	453974-8	LATCH		4				
A07B	812T48-8	DTD155RTJ INDICATION LABEL		1				
A08B	812T49-6	DTD155RTJ PLASTIC CASE LABEL		2				

